

# KZL strain relief plates

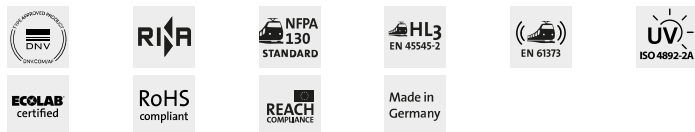
pluggable on 35 mm top hat DIN rails and C section rails C30



The strain relief plate KZL is used for static or dynamic applications for organising and securing cables on machines, control panels or drag chains.

The design of the strain relief unit provides secure strain relief according to EN 62444. Mount of the cables or pneumatic tubing is easily done using cable ties.

KZL Strain relief plates can be mounted on 35 mm top hat DIN rails and C section rails C30.



## Specifications

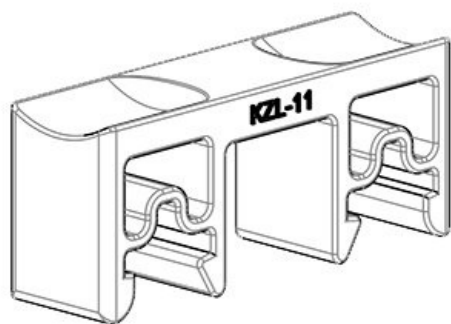
|                       |                             |
|-----------------------|-----------------------------|
| Material              | Polyamide                   |
| Flame class           | UL94-V0, self-extinguishing |
| Operating temperature | -40 C° to 140 C°            |
| Properties            | silicone free, halogen free |
| Mounting options      | Snap-in                     |

## Advantages & benefits

- Strain relief according to EN 62444
- Fast and easy mounting
- Cost-effective solution
- High cable density
- Versatile utilisation

## Product types & sizes

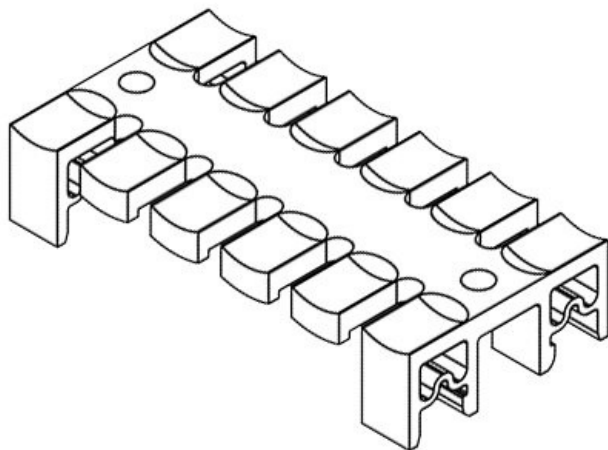
KZL 11



|                        |                   |                 |                |
|------------------------|-------------------|-----------------|----------------|
| Part No.               | <b>32250</b>      | Mounting height | <b>10,7 mm</b> |
| EAN                    | <b>4251269300</b> | No. of teeth    | <b>1</b>       |
| Package quantity       | <b>10</b>         |                 |                |
| For max. no. of cables | <b>1</b>          |                 |                |
| Length                 | <b>11,5 mm</b>    |                 |                |
| Width                  | <b>39,5 mm</b>    |                 |                |
| Height                 | <b>16,5 mm</b>    |                 |                |



|                        |                      |                 |                |
|------------------------|----------------------|-----------------|----------------|
| Part No.               | <b>32260</b>         | Mounting height | <b>10,7 mm</b> |
| EAN                    | <b>4251269300943</b> | No. of teeth    | <b>3</b>       |
| Package quantity       | <b>10</b>            |                 |                |
| For max. no. of cables | <b>3</b>             |                 |                |
| Length                 | <b>38,5 mm</b>       |                 |                |
| Width                  | <b>39,5 mm</b>       |                 |                |
| Height                 | <b>16,5 mm</b>       |                 |                |



|                        |                      |                 |                |
|------------------------|----------------------|-----------------|----------------|
| Part No.               | <b>32262</b>         | Mounting height | <b>10,7 mm</b> |
| EAN                    | <b>4251269300967</b> | No. of teeth    | <b>6</b>       |
| Package quantity       | <b>10</b>            |                 |                |
| For max. no. of cables | <b>6</b>             |                 |                |
| Length                 | <b>79,5 mm</b>       |                 |                |
| Width                  | <b>39,5 mm</b>       |                 |                |
| Height                 | <b>16,5 mm</b>       |                 |                |

|                 |                   |              |                |
|-----------------|-------------------|--------------|----------------|
| Part No.        | <b>32264</b>      | Mounting     | <b>10,7 mm</b> |
| EAN             | <b>4251269300</b> | height       |                |
|                 | <b>981</b>        | No. of teeth | <b>9</b>       |
| Package         | <b>10</b>         |              |                |
| quantity        |                   |              |                |
| For max. no. of | <b>9</b>          |              |                |
| cables          |                   |              |                |
| Length          | <b>139,5 mm</b>   |              |                |
| Width           | <b>39,5 mm</b>    |              |                |
| Height          | <b>16,5 mm</b>    |              |                |

